



SR-1030 Cinema Surround Loudspeaker

Features

- High Performance for large cinemas
- Directivity Matched Transition™ provides balanced sound between woofer and horn
- Axisymmetric horn
- 10" (254mm) woofer with 2.5" (63mm) voice coil
- 1.75" (44mm) titanium diaphragm compression driver
- Pre-installed mounting hardware for fast, easy and secure installation
- Very high-power handling capability meets the demands of D-Cinema soundtrack reproduction



Developed specifically for the unique requirements of professional motion picture playback in smaller cinemas, QSC extends its commitment to the cinema market with the SR-1030 Cinema Surround Loudspeaker. As a member of QSC's DCS (Digital Cinema Speaker) Series, the SR-1030 offers high-power handling, excellent sensitivity, and extended bass response in a very compact enclosure.

The SR-1030 Cinema Surround Loudspeaker features a high-power, long-throw 10" low-frequency transducer coupled with a large 1.75" titanium diaphragm compression driver. The system's MDF enclosure features a 15° down angle baffle and easily accessible terminals on the top of the enclosure. The 400 watt continuous power rating and sophisticated crossover with protection circuitry provides absolute reliability.

The uniform power-response of this loudspeaker is a result of DMT™ (Directivity Matched Transition), a design approach that matches LF and HF coverage in the crossover region. Another key to the extraordinary accuracy and flat power response of the SR-1030 is the axisymmetric waveguide which provides uncompromised performance in both the vertical and horizontal axes.

The compact black enclosure with black grille blends into any theatre decor. Pre-installed speaker-side hardware allows fast single-installer mounting, and brackets support down-angles of either 15° (standard) or 23° (optional). A traditional U-bracket (YM-400) is also available. The SR-1030 is shipped in pairs to reduce shipping costs.

SR-1030 Details

System Hardware	SR-1030
Frequency Range (-10dB) ¹	56 Hz to 20 kHz
Rated Noise Power (Voltage) ²	400 W continuous (56.5 V rms)
Sensitivity ³	95.5 dB, 1W@1m
Rated Coverage Angle (-6 dB)	90° Axisymmetric
Maximum Rated SPL ⁴	121.5 dB @ 1m, continuous 127.5 dB @ 1m, peak
Rated Impedance	8Ω
Recommended Amplifier Power	800 Watts
HF Transducer	1.75" (44 mm) titanium diaphragm compression driver
LF Transducer	10" (254 mm) long throw low-frequency transducer with 2.5" (63 mm) voice coil
Enclosure Details	
Input Connector	4-position barrier strip, accepts up to #10 AWG stranded wire
Enclosure Material	MDF
Grille	Black Cloth
Environmental	
Dimensions (HxWxD)	19.5" x 15.8" x 10.2" (495 mm x 401 mm x 259 mm)
Net Weight	36.5 lb (16.5 kg)
Shipping Weight (pairs)	82.6 lb (37.4 kg)
Included Accessories	Pre-installed brackets
Optional Accessories	QM-SW, QM-BW, YM-400

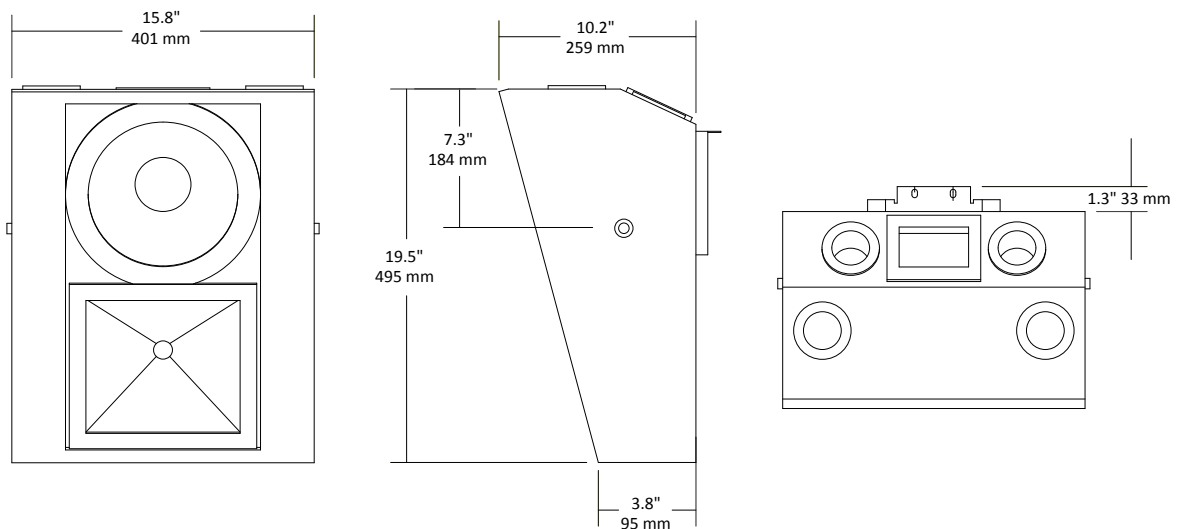
As part of QSC's ongoing commitment to product development, specifications are subject to change without notice.

¹ Free-field, -10 dB from on-axis sensitivity

² IEC60268-1 noise signal for 2 Hrs

³ On-Axis, free-field sensitivity, 2.83V, 1 m

⁴ Calculated from rated noise voltage and sensitivity



Specifications subject to change without notice.

QSC™

1675 MacArthur Boulevard • Costa Mesa, CA 92626 • Ph: 800/854-4079 or 714/957-7100 • Fax: 714/754-6174



please recycle

© 2013 QSC Audio Products, LLC. All rights reserved. QSC and the QSC logo are registered trademarks of QSC Audio Products, LLC in the U.S. Patent and Trademark office and other countries. DMT is a trademark of QSC.