



SB-2180

Dual 18-inch
Cinema Subwoofer

Features

- Optimized for cinema applications
- Requires less than 17 inches (432 mm) behind screen
- Two 18" (456 mm) woofers with 4" (100 mm) voice coils
- Screw-type barrier-strip connectors
- Rubber feet to maximize isolation and minimize vibration

SB-2180 Specification



SB-2180

Part of the DCS Digital Cinema Speaker Series, the SB-2180 subwoofer offers a unique solution that addresses the extended low frequency requirements of any digital cinema application.

The SB-2180 features two 18" (457 mm) woofers with 4" (102 mm) voice coils for extended bandwidth low frequency

reproduction. With an enclosure depth of less than 17 inches (432 mm), the SB-2180 is one of the narrowest dual-driver subwoofers available, which dramatically reduces space requirements behind the screen. A unique folded port design minimizes cabinet depth, while maintaining full port length and volume.

Specifications

Frequency Range ¹ (-10dB)	25 Hz to 150 Hz
Rated Noise Power (Voltage) ²	1100 W
Sensitivity ³	101 dB
Maximum continuous SPL ⁴	131.5 dB
Maximum peak SPL ⁴	137.5 dB
Rated Impedance	4Ω
Recommended Amplifier Power	2200 Watts
Transducer	Two 18 in. (457 mm) woofers, 4 in. voice coils

Enclosure Details

Input Connector	4-position barrier strip
Enclosure Material	MDF, 19 mm
Grille	None
Dimensions (HxWxD)	33.15 x 42.5 x 16.5 inches (842 x 1080 x 420 mm)
Net Weight	197 lb (89 kg)

¹ Half-space (2 pi), unprocessed, -10 dB from on-axis sensitivity

² AES2-1984 noise signal for 2 hrs

³ On-Axis, half-space, 1 W (2.0v)

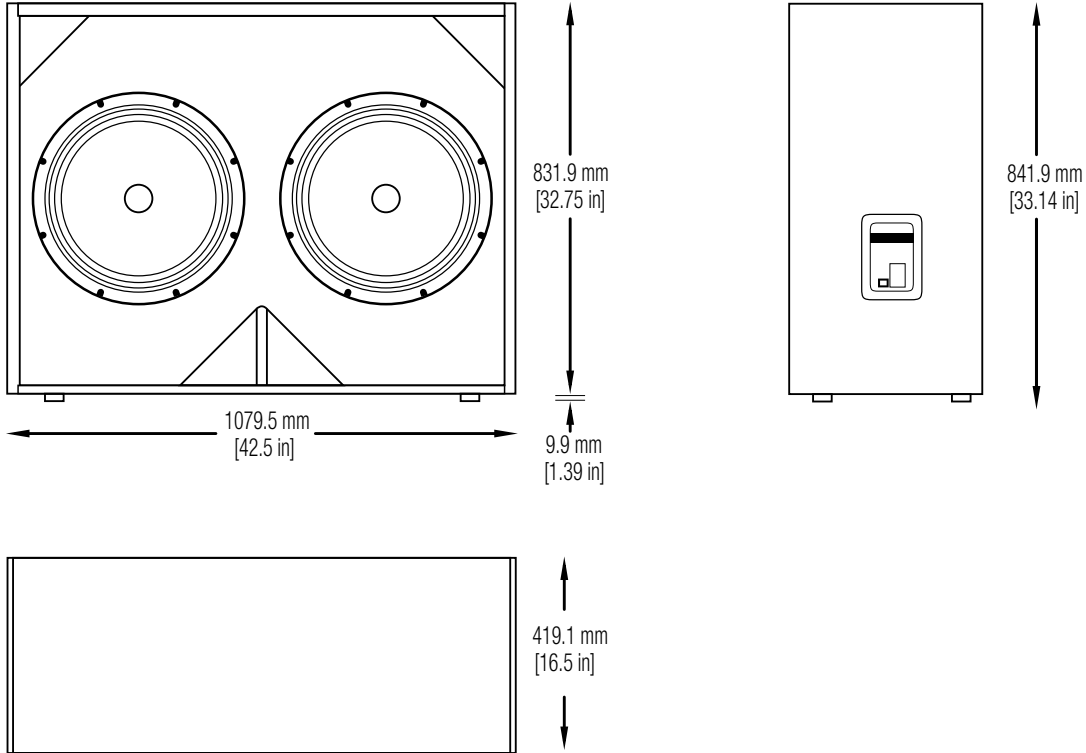
⁴ Calculated from rated noise voltage and sensitivity

Specifications are subject to change without notice.



SB-2180 Details

Dimensions:



1675 MacArthur Boulevard • Costa Mesa, CA 92626 • Ph: 800/854-4079 or 714/957-7100 • Fax: 714/754-6174
© 2015 QSC Audio Products, LLC. All rights reserved. QSC and the QSC logo are registered trademarks of QSC Audio Products, LLC in the U.S. Patent and Trademark office and other countries. All other trademarks are the property of their respective owners. Patents may apply or be pending.

SB-2180 Spec Sheet 7/1/2016

