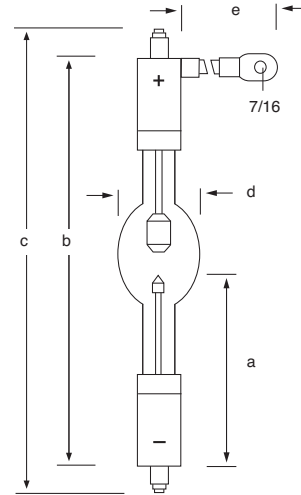
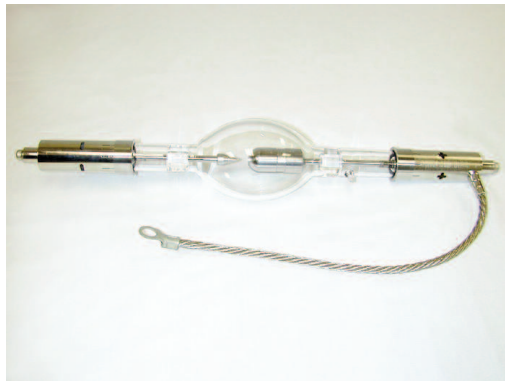


PHILIPS



LTIX-5000W-H

TECHNICAL SPECIFICATIONS

| | |
|------------------------------------|----------------|
| Part Number | 2110032 |
| Description | LTIX-5000W-H |
| Power (W) | 5000 |
| Voltage (V) | 33 |
| Current (A) | 140 |
| Lumen Output | 225,000 |
| Min/Max (A) | 100/150 |
| Ignition Voltage (kV) | 36 |
| Min. Open Circuit Voltage (V) | 85/110 |
| Cooling (min. air flow ft./s) | 20 |
| Vertical position | +/- 15 degrees |
| Horizontal position | +/- 15 degrees |
| Magnet | required |
| Average lamp life - vertical (h) | 1000 |
| Average lamp life - horizontal (h) | 1000 |
| Diameter d (mm) | 70 |
| Length c max. (mm) | 428 |
| Length b max. (mm) | 382 |
| Distance a (mm) | 167.5 |
| Anode (+) base diameter (mm) | 27 |
| Anode pin diameter (mm) | 16 |
| Cathode (-) base diameter (mm) | 27 |
| Cathode pin diameter (mm) | 18 |
| Lead length e (mm) | 305 |
| Arc gap (mm) | 8.0 |