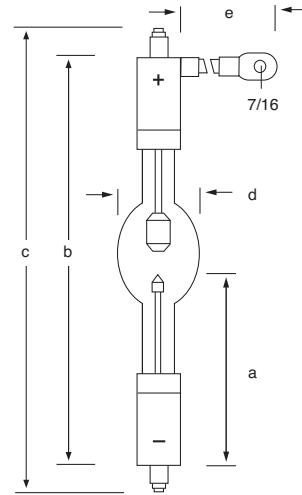


PHILIPS



LTIX-6000W-HS

TECHNICAL SPECIFICATIONS

Part Number	2110044
Description	LTIX-6000W-HS
Power (W)	6000
Voltage (V)	37
Current (A)	160
Lumen Output	320,000
Min/Max (A)	110/165
Ignition Voltage (kV)	44
Min. Open Circuit Voltage (V)	85/110
Cooling (min. air flow ft./s)	20
Vertical position	+/- 15 degrees
Horizontal position	+/- 15 degrees
Magnet	horizontal required
Average lamp life - vertical (h)	600
Average lamp life - horizontal (h)	600
Diameter d (mm)	78
Length c max. (mm)	410
Length b max. (mm)	370
Distance a (mm)	170.5
Anode (+) base diameter (mm)	30
Anode pin diameter (mm)	9.5
Cathode (-) base diameter (mm)	30
Cathode pin diameter (mm)	7.9
Lead length e (mm)	305
Arc gap (mm)	9.0