

Professional Series

Application:

For critical sound reproduction in small to medium cinemas and studio production and post production applications.

Key Features:

- ▶ Three-way ScreenArray® design for maximum output, optimal coverage, and minimum distortion.
- ▶ Available for Bi-amplified operation (model 3732) or Tri-amplified operation (model 3732-T)
- ▶ Large Format 3" neodymium, titanium diaphragm, high frequency compression driver
- ▶ Mid High Section ships fully assembled
- ▶ New molded Optimized Aperture Waveguide technology for ultra low distortion and extremely uniform frequency response.
- ▶ SSC™ Screen spreading Compensation
- ▶ Focused Coverage Technology
- ▶ Flat Front Wave Guide design for easy baffle wall installation
- ▶ Shallow profile for minimum behind screen depth requirements.

Today's cinemas require perfect coverage in every seat of the auditorium, wide dynamic range and extended bandwidth, as well as inaudible levels of distortion. Digital soundtracks, especially those tracks associated with the new digital cinema requirements, require sound systems for premier auditoriums that can accurately reproduce the sound exactly as recorded.

The 3732 next generation ScreenArray features true three-way design enhanced by advanced engineering. JBL's latest technical innovations are integrated into a system design that provides superior coverage, maximum power handling, and uniform acoustic power output, along with extremely low distortion. The ScreenArray design provides ideal power response and directivity control with seamless transitions between acoustic sections.



Specifications:

System: [3632-T Specifications in Brackets]

Frequency Range:	30 Hz - 20 kHz
Frequency Response (±3 dB):	40 Hz - 19 kHz
System Sensitivity:	103 dB, 2.83V @ 1m (3.3 ft)
Rated Maximum SPL:	125 dB @ 1m (3.3 ft), 131 dB peak
System Input Power Rating:	LF: 500 watts, M/HF: 150 watts [HF: 85 watts]
Hor. Coverage Angle (-6 dB):	90°
Vert. Coverage Angle (-6 dB):	20° up, 30° down
Directivity Factor (Q):	10.0
Directivity Index (DI):	10 dB
Crossover Frequencies:	350 Hz, [1.2 kHz]
Dimensions (HxWxD):	1937 mm x 762 mm x 450 mm (76.3 in x 30 in x 17.75 in)
Net Weight:	77.9 kg (172 lb)
Shipping Weight:	92.8 kg (205 lb)

Component Elements:

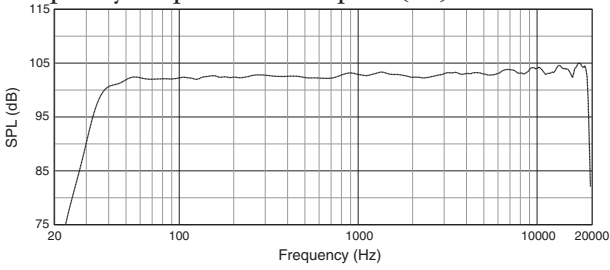
Model 3739 Low Frequency:	2 x M115H-8A; 380 mm (15 in) dia., 64 mm (2.5 in) edgewound ribbon voice coil transducers mounted in 4509 LF enclosure
Nominal Impedance:	4 ohms
Input Power Rating:	500 watts AES; 600 watts recommended amplifier
Sensitivity:	104 dB SPL, 2.83V @ 1 m (3.3 ft)
Input Connectors:	Push terminal binding posts
Dimensions (HxWxD):	883 mm x 762 mm x 450 mm
Ships fully assembled:	(34.75 in. x 30 in. x 17.75 in.)
Net Weight:	54.9 kg (121 lb)
Shipping Weight:	69.9 kg (154 lb)
Model 3732-M/HF	Nominal Impedance: 8 ohms [MF: 12 ohms, HF: 8 ohms]
Input Power Rating:	150 watts AES; 300 watts recommended amplifier [MF: 150 watts AES; 300 watts recommended amplifier] [HF: 85 watts AES; 200 watts recommended amplifier]
Sensitivity:	103 dB SPL, 2.83V @ 1 m (3.3 ft) [MF: 107 dB SPL, 2.83V @ 1 m (3.3 ft)] [HF: 115 dB SPL, 2.83V @ 1 m (3.3 ft)]
Input Connectors:	Screw terminal barrier strip
Mid Frequency:	2 x 165H; 165 mm (6.5 in) dia., 38 mm (1.5 in) voice coil
High Frequency:	2432H; 75 mm (3 in) titanium diaphragm and voice coil dia., 38 mm (1.5 in) exit diameter
Dimensions (HxWxD):	1054 mm x 762 mm x 450 mm
Ships fully assembled:	(41.5 in. x 30 in. x 17.75 in.)
Net Weight:	23.2 kg (51 lb)
Shipping Weight:	31.3 kg (69 lb)

¹See 4732 specification sheet for 4739 specifications

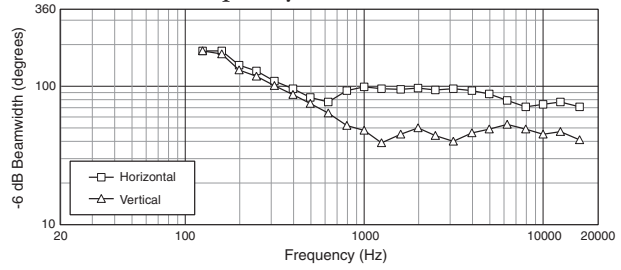
JBL continually engages in research related to product improvement. Some materials, production methods and design refinements are introduced into existing products without notice as a routine expression of that philosophy. For this reason, any current JBL product may differ in some respect from its published description, but will always equal or exceed the original design specifications unless otherwise stated.

▶ 3732/3732-T ScreenArray® Three-Way Cinema Loudspeaker Systems

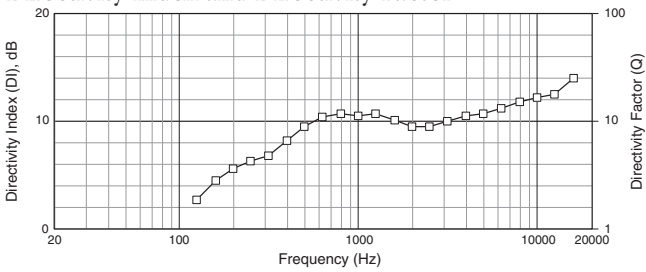
Frequency Response in half-space (2π)



Bandwidth vs. Frequency

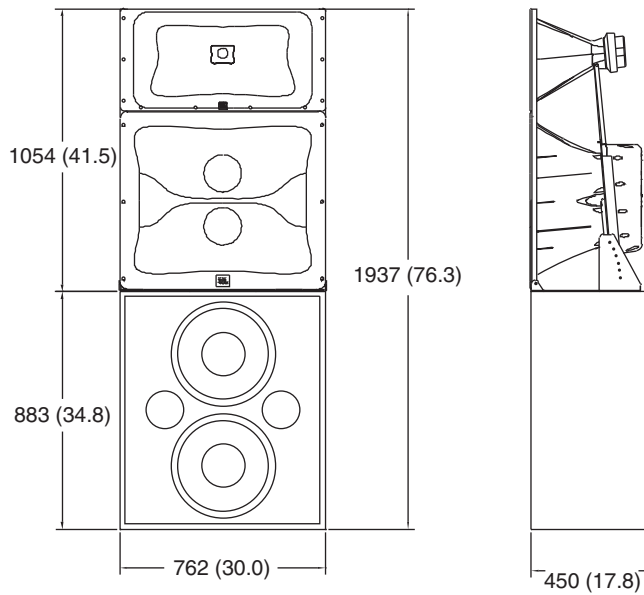


Directivity Index and Directivity Factor



Dimensions

Dimensions in mm (in)



JBL Professional
8500 Balboa Boulevard, P.O. Box 2200
Northridge, California 91329 U.S.A.

■ A Harman International Company
© Copyright 2008 JBL Professional
www.jblpro.com

SS3732/3732-T
CRP
05/09