

C-218-A ACOUSTIC SYSTEM



KELONIK CINEMA SOUND

Screen channel cinema sound system
especially designed for subwoofers

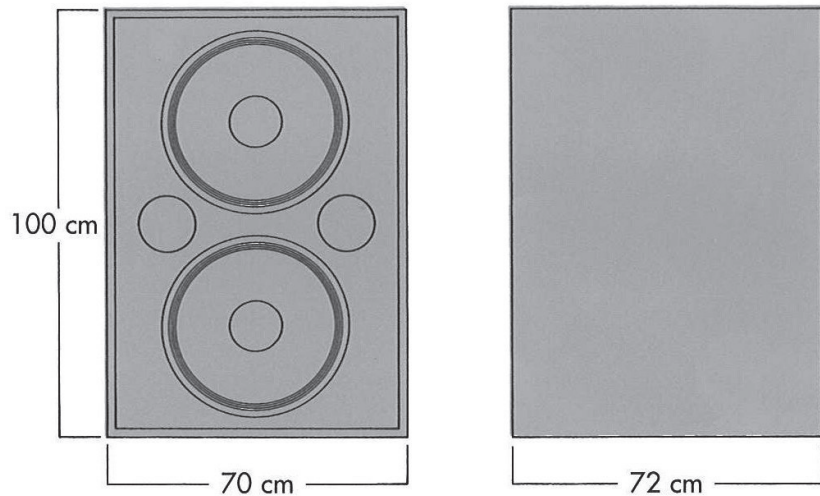
C-218-A has two K.C.S. S-1846 18" Ø woofers. These are extra-long excursion cone drivers featuring 4" Ø coils, massive magnetic circuitry, and carefully engineered cooling schemes, resulting in high power handling and low power compression. Both speakers are arranged as direct radiators, resulting in a deep and highly linear bass sound.

Approved for THX.



APPROVED
THX

C-218-A ACOUSTIC SYSTEM



TECHNICAL DATA

Frequency Range (-10 dB)	20 Hz- 500 Hz
Nominal Impedance	4 Ω

POWER CAPACITY

Continuous Pink Noise ⁽¹⁾	2000 W
Continuous Program	4000 W
Sensitivity 1W/1m	101 dB S.P.L.
Crossover Frequency	80-110 Hz recomended
Dimensions (H x W x D)	100 x 70 x 72 cm
Net Weight	74 kg

(1) Based on a 2 hour test using a continuous 6 dB crest factor pink noise signal band limited according to IEC 268-1 (1985).

COMPONENTS

Cabinet	C-218-A
Loudspeaker 18"	2 x S-1846