

S-2300 ACOUSTIC SYSTEM



KELONIK CINEMA SOUND

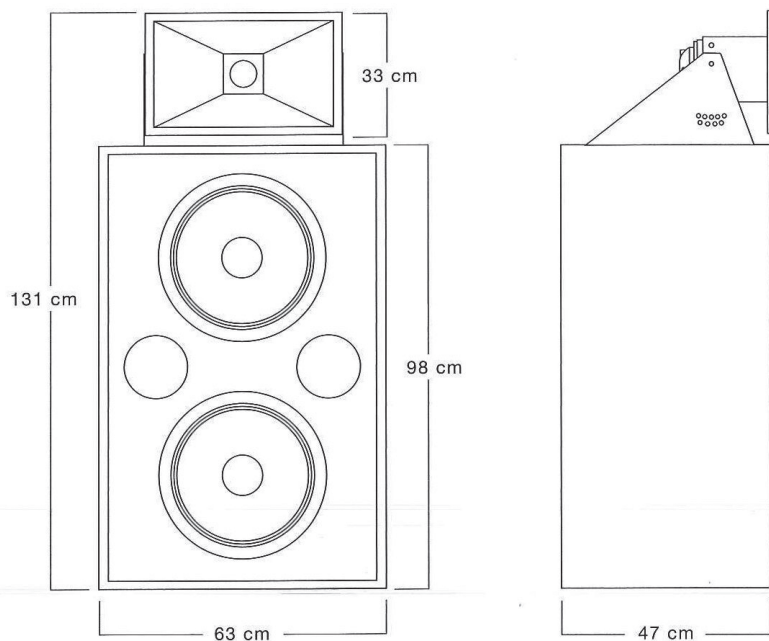
Screen Channel Cinema Sound System for medium theaters

K.C.S. S-2300 two-way passive speaker system has been especially designed for the screen channel in medium size auditoria. This speaker system features a bass cabinet with direct radiation technology and fitted with two 15" Ø woofers. Its high-frequency section consists of a compression driver with titanium membrane and a constant directivity horn.

S-2300 speaker system has a passive crossover with cut frequency at 1400 Hz.



S-2300 ACOUSTIC SYSTEM



TECHNICAL DATA

Frequency Range (-10 dB)	35 Hz- 20 kHz
Nominal Impedance	4 Ω
POWER CAPACITY	
Input Power Rating ⁽¹⁾	300 W
Sensitivity 1W/1m	96 dB S.P.L.
Crossover Frequency	1400 Hz
	Passive included
Horizontal Beamwidth	90°
Horizontal Beamwidth	40°
Dimensions (H x W x D)	131 x 63 x 47 cm
Net Weight	52,5 kg

(1) Rating based on test signal of filtered random noise conforming to the International Standard IEC 268-1 (pink noise with 12 dB per octave roll-off below 40 Hz and above 5000 Hz with a peak-to-average ratio of 6 dB).

COMPONENTS

Caja	C-215 MF 2300
Low Frequency Driver	2 x S-15 M
Passive Network	F-2300
High Frequency Driver	S-701
High Frequency Horn	BC-94
Adjustable Mount	SP-2300