

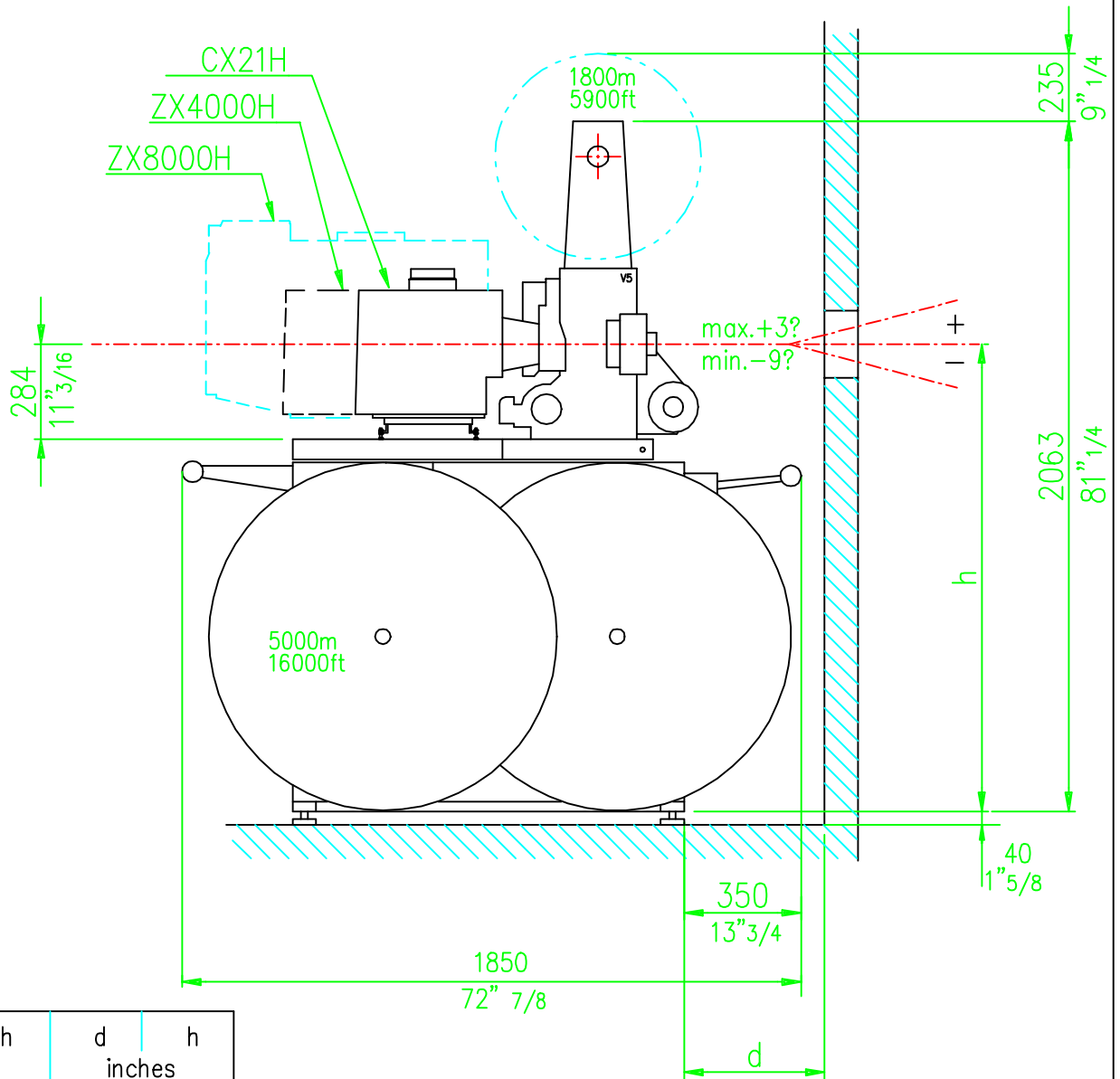


VICTORIA 5 MI-B 5000m

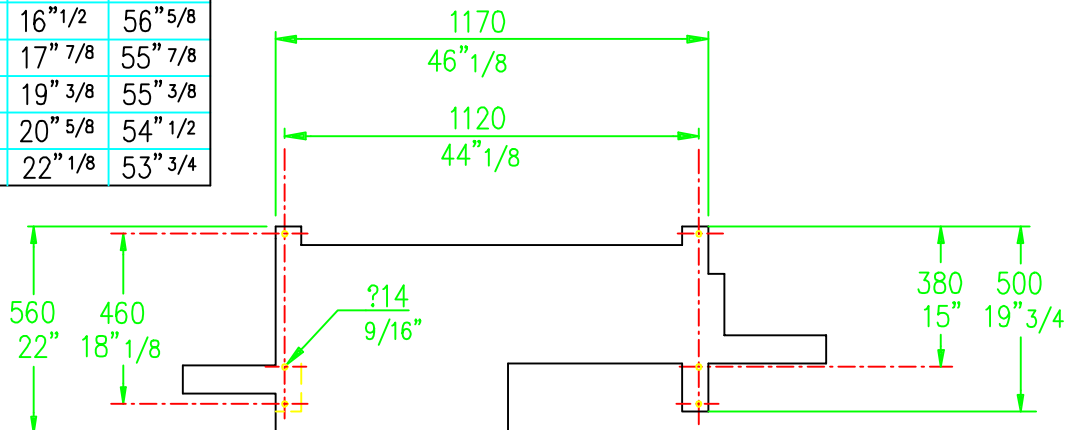
Misure d'ingombro

Overall dimensions

Dis. 8379



ANGOLO ANGLE	d mm	h	d inches	h
+1?	420	1450	16" 1/2	57" 1/8
0	420	1437	16" 1/2	56" 5/8
-2?	455	1420	17" 7/8	55" 7/8
-4?	490	1405	19" 3/8	55" 3/8
-6?	525	1385	20" 5/8	54" 1/2
-8?	560	1365	22" 1/8	53" 3/4



DISEGNATO	VISTO	DATA	Peso Kg.
-WA-		17-07-01	Scala 1=20