



SC-1120
Screen Channel Loudspeaker
for Small Rooms

Features

- Single enclosure two-way screen channel loudspeaker
- Optimized for small room applications up to 35 feet (11 meters) from screen to last row of seating
- Requires less than 12 inches (305 mm) behind screen
- Passive crossover requires only one amplifier channel
- 90° Axisymmetric horn
- 12" (305 mm) woofer with 2.5" (63 mm) voice coil
- 1.75" (44 mm) voice coil HF compression driver
- Screw-type barrier-strip connectors



The SC-1120 extends QSC's commitment to the cinema market by offering high-quality QSC sound for small room systems. As a member of the DCS Digital Cinema Series, the SC-1120 is a cost-effective screen channel loudspeaker for cinemas no longer than 35 feet (11 meters) from the screen to the last row of seating. The SC-1120 features a 12" (305 mm) woofer with 2.5" (63 mm) voice coil for exceptional low frequency bandwidth reproduction. The LF driver crosses over into a high frequency compression driver with 1.75" (44 mm) voice coil. Both drivers are combined in a single enclosure, simplifying installation.

The SC-1120 provides coverage over a 90° angle, ideal for small room cinema sound applications. Installation is as simple as removing the SC-1120 from its carton and positioning it behind the screen. The enclosure was designed to be mounted on a platform and its shallow depth (less than 12 inches or 305 mm) dramatically reduces space requirements behind the screen.

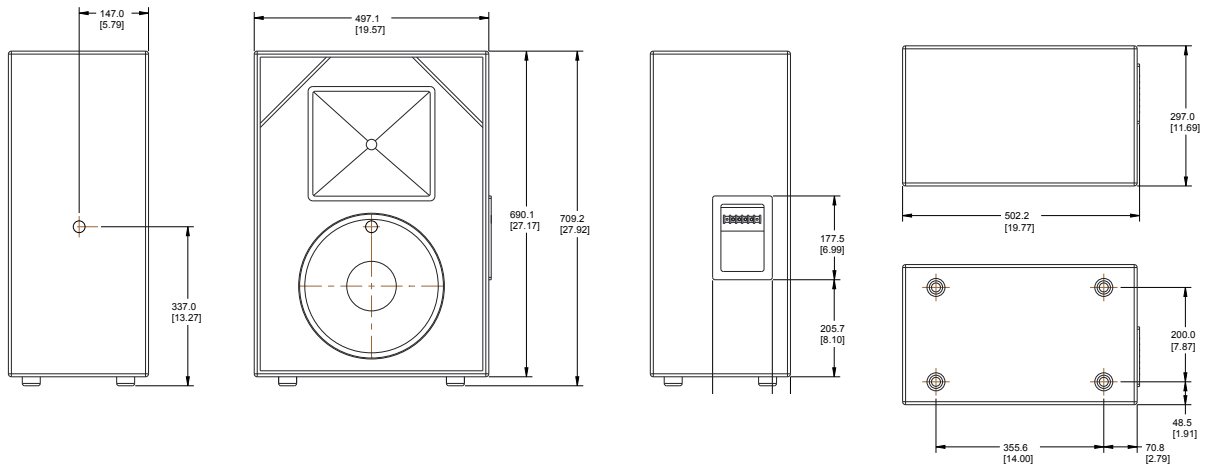
SC-1120 Details

System Details	SC-1120
Rated Coverage Angle (-6 dB)	90 degrees Axisymmetric
Frequency Range ¹ (-10dB)	48 Hz to 19 kHz
Rated Noise Power (Voltage) ²	300 W
Sensitivity ³	95.5 dB
Maximum continuous SPL ⁴	120 dB
Maximum peak SPL ⁴	126 dB
Rated Impedance	8Ω
Maximum Recommended Amplifier Power	600 Watts
Transducers	LF: 12" (305 mm) woofer, 2.5" voice coil HF: Compression driver with 1.75" (44 mm) voice coil
Enclosure Details	
Input Connector	4-position barrier strip
Enclosure Material	MDF, non-reflective black vinyl
Grille	None
Dimensions (HxWxD)	27.2 x 19.5 x 11.7 inches (690 x 497 x 297 mm)
Net Weight	51 lb (23.2 kg)

As part of QSC's ongoing commitment to product development, specifications are subject to change without notice.

Footnotes

- 1 Free-field, unprocessed, -10 dB from on-axis sensitivity
- 2 AES2-1984 noise signal for 2 hrs
- 3 On-Axis, free-field sensitivity, 2.83V, 1 m
- 4 Calculated from rated noise voltage and sensitivity



Specifications subject to change without notice.



1675 MacArthur Boulevard • Costa Mesa, CA 92626 • Ph: 800/854-4079 or 714/957-7100 • Fax: 714/754-6174



please recycle

© 2013 QSC and the QSC logo are registered trademarks of QSC Audio Products, LLC in the U.S. Patent and Trademark office and other countries. All other trademarks are the property of their respective owners. Patents may apply or be pending.