



SB-15121 21" Cinema Subwoofer

Features

- 1500 W, 21" transducer
- Frequency range extends to below 25 Hz without the need for B6 EQ filters
- DCP, DCM and SF-3 signal processors optionally available



Part of the DCS Digital Cinema Speaker Series, QSC's SB-15121 subwoofer offers the highest performance available for cinema subwoofer applications. It is designed for use in premiere cinemas and post-production applications where the ultimate in performance is required.

The massive 21" low-frequency transducer features a 6" diameter voice coil in a vented, neodymium magnet structure that is designed to dissipate extreme amounts of heat and allow for excursion that is double that of typical 18" transducers. This ensures cool operation, even at high power levels, increases driver lifespan and decreases power compression at high drive levels.

The large, ported enclosure ensures response to the lowest audible frequency for bass that you can not only hear but also feel. The enclosure is constructed of high quality, heavily braced MDF Panels. Large, fully radiused ports ensure smooth airflow, especially at higher drive levels. This prevents potentially audible port turbulence noise. Both internal and external port openings are flared.

With symmetrical port loading, the bass ports are evenly spaced around the transducer, making internal pressure more uniform across the back surface of the woofer. This prevents the cone from being displaced to one side or another by unbalanced air pressure, reducing the chance of driving the voice coil out of the center of the gap at high drive levels.

SB-15121 Details

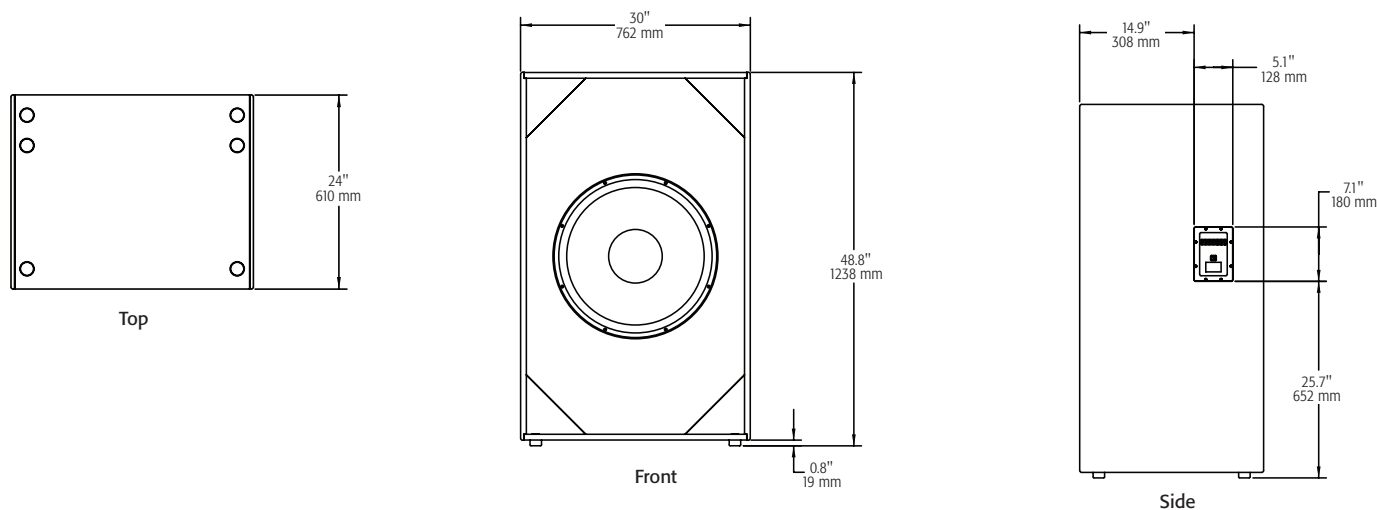
Specifications

Frequency Range ¹	
-6 dB half space	23.8 Hz – 100 Hz
-10 dB half space	21.5 Hz – 100 Hz
Maximum Output ²	
Calculated Peak at Rated Power	137 dB SPL
Calculated Continuous	131 dB SPL
Impedance	4Ω nominal
Maximum Input Power	
100 hours of 6 dB crest factor pink noise, 25 Hz – 250 Hz	1500 W RMS
2 hours of 6 dB crest factor pink noise, 25 Hz – 250 Hz, AES method	2500 W RMS
Recommended Amplifier Power	3400 W RMS maximum / 1200 W RMS minimum
Sensitivity 1 watt/1 meter, half space	99 dB 40 Hz – 100 Hz
Transducer	One 21" (533 mm) high efficiency subwoofer transducer featuring a vented 6" (153 mm) copper voice coil on a fiberglass former. High excursion/low distortion design, with extremely high power handling and low thermal and port compression. Neodymium magnet to provide a very high force factor and linear excursion.
Recommended Processing	HPF at 20 Hz, minimum 12 dB / Octave slope
Nominal Coverage	Omnidirectional (80 Hz)
Connectors	Barrier strip screw terminals accept up to #10 AWG stranded wire. Four terminals; two inputs and two parallel outputs.
Enclosure	Vented enclosure with symmetrical port design, tuned to 25 Hz, constructed of medium density fibre-board and heavily braced. Features vandal resistant woofer mounting bolts.
Dimensions (HWD)	48.8" x 30" x 24" (1238 mm x 762 mm x 610 mm) including feet
Weight – Net / Shipping	231 lb (105 kg) / 257 lb (114 kg)

1) All frequency ranges specified refer to measured free field response (half space, 2π).

2) 1 meter, half space, at rated rms power with 6 dB crest factor pink noise input, 40 Hz – 100 Hz.

SB-15121 Technical Drawings



Specifications subject to change without notice.

QSC™

1675 MacArthur Boulevard • Costa Mesa, CA 92626 • Ph: 800/854-4079 or 714/957-7100 • Fax: 714/754-6174



please recycle