

S-1500 ACOUSTIC SYSTEM



KELONIK CINEMA SOUND

K.C.S. S-1500 two-way speaker system is a high quality extra-flat system especially designed for the screen channel in small size auditoria with very short space available between screen and rear wall.

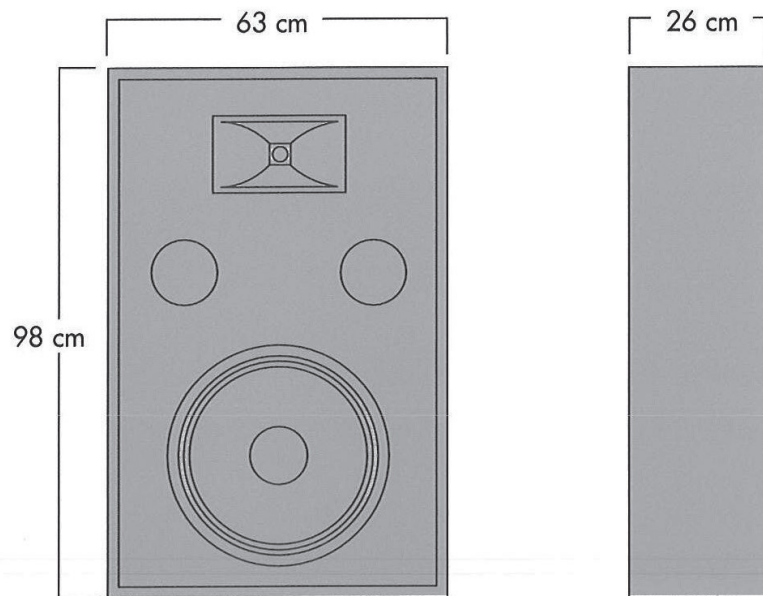
This speaker system features one extra-flat direct radiation technology bass cabinet with one 15" Ø woofer. Its high frequency section has a compression driver with 2" Ø titanium membrane, 1" Ø mouth and a constant directivity horn, all fitted as a compact assembly within the bass cabinet.

S-1500 system has a built-in passive crossover with 800 Hz cut frequency.



Screen channel Extraflat cinema sound system for small/medium capacity theaters

S-1500 ACOUSTIC SYSTEM



TECHNICAL DATA

Frequency Range (-10 dB)	40 Hz- 20 kHz
Nominal Impedance	8 Ω

POWER CAPACITY

Continuous Pink Noise ⁽¹⁾	400 W
Continuous Program	800 W
Sensitivity 1W/1m	99 dB S.P.L.
Crossover Frequency	800 Hz
Horizontal Beamwidth	90°
Horizontal Beamwidth	45°
Dimensions (H x W x D)	98 x 63 x 26 cm
Net Weight	34,5 kg

(1) Based on a 2 hour test using a continuous 6 dB crest factor pink noise signal band limited according to IEC 268-1 (1985).

COMPONENTS

Caja	S-1500
Low Frequency Driver	S-15P
Passive Network	F-S-1500 Included
High Frequency Driver	S-701
High Frequency Horn	S-101 E