

S-2400 / S-2401 ACOUSTIC SYSTEMS



KELONIK CINEMA SOUND

Screen Channel Cinema Sound System for medium theaters

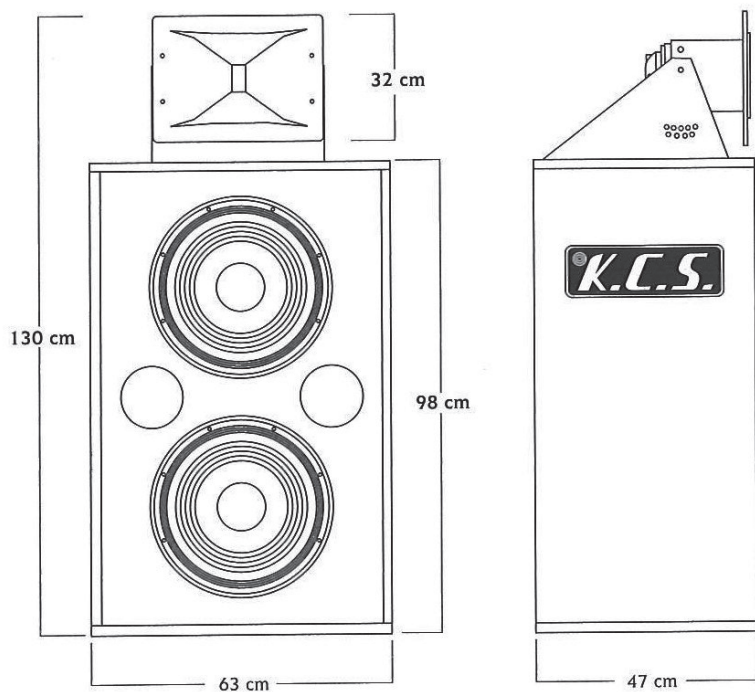
K.C.S. S-2400 and S-2401 two-way speaker systems are specifically designed for medium size auditoria. These speakers systems feature a bass cabinet with direct radiation technology and fitted with two 15" Ø woofers.

Its high-frequency section consists of a compression driver with titanium membrane and a constant directivity horn, providing optimum coverage.



S-2400 speaker system has a passive crossover with cut frequency at 800 Hz, while S-2401 is designed for biamplified applications with external electronic crossover at 800 Hz.

S-2400 / S-2401 ACOUSTIC SYSTEMS



TECHNICAL DATA

	S-2400	S-2401
Frequency Range (-10 dB)	35 Hz – 20 kHz	
Nominal Impedance	4 Ω	LF 4 Ω HF 8 Ω
POWER CAPACITY		
Continuous Pink Noise ⁽¹⁾	400 W	LF 800 W HF 70 W
Continuous Program	800 W	LF 1600 W HF 140 W
Sensitivity 1W/1m	97 dB S.P.L.	LF 97 dB S.P.L. HF 109 dB S.P.L.
Crossover Frequency	800 Hz	800 Hz
	Passive included	Active not included
Horizontal Beamwidth	90°	
Vertical Beamwidth	40°	
Dimensions (H x W x D)	130 x 63 x 47 cm	
Net Weight	58 kg	57,5 kg

(1) Based on a 2 hour test using a continuous 6 dB crest factor pink noise signal band limited according to IEC 268-1 (1985).

COMPONENTS

	S-2400	S-2401
Cabinet	C-215 PF 2400	C-215 P
Low Frequency Driver	2 x S-15 P	2 x S-15 P
Passive Network	F-2400	-
High Frequency Driver	S-10 / 75	S-10 / 75
High Frequency Horn	BP-92	BP-92
Adjustable Mount	SP-2400	SP-2400